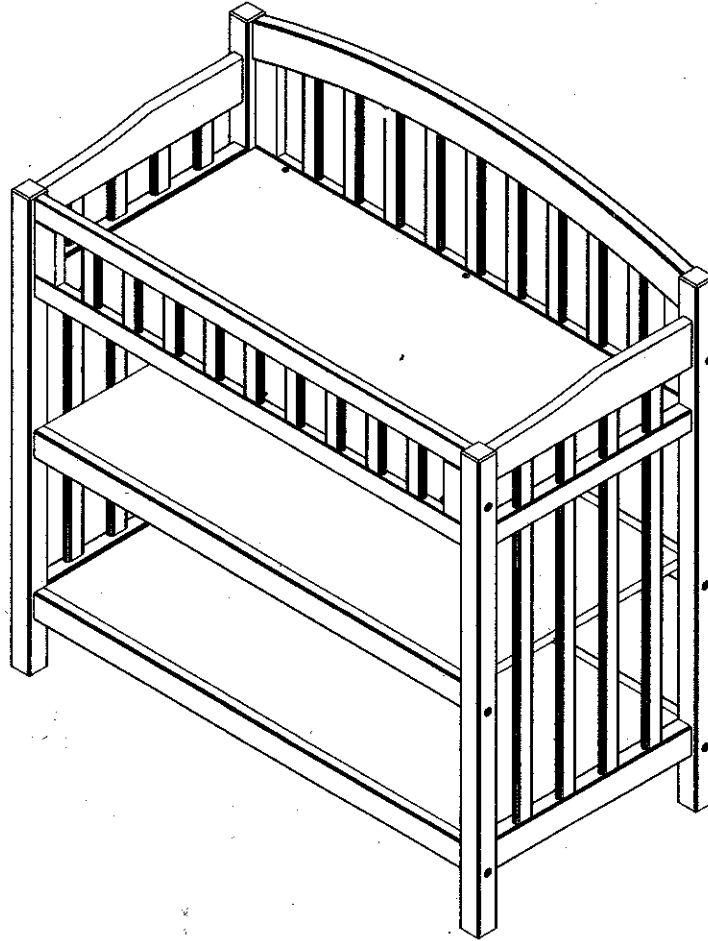
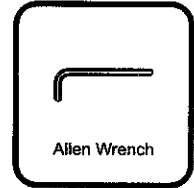
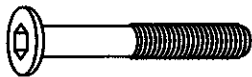


## ASSEMBLY INSTRUCTIONS

Before assembling your Changing Table, please read through these instructions carefully, familiarising yourself with the different parts. Please note that you will require a Phillips head screwdriver (customer supplied).



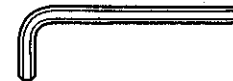
## HARDWARE



**A** JCB M6 X 2 1/2" (60mm) - 12 pcs

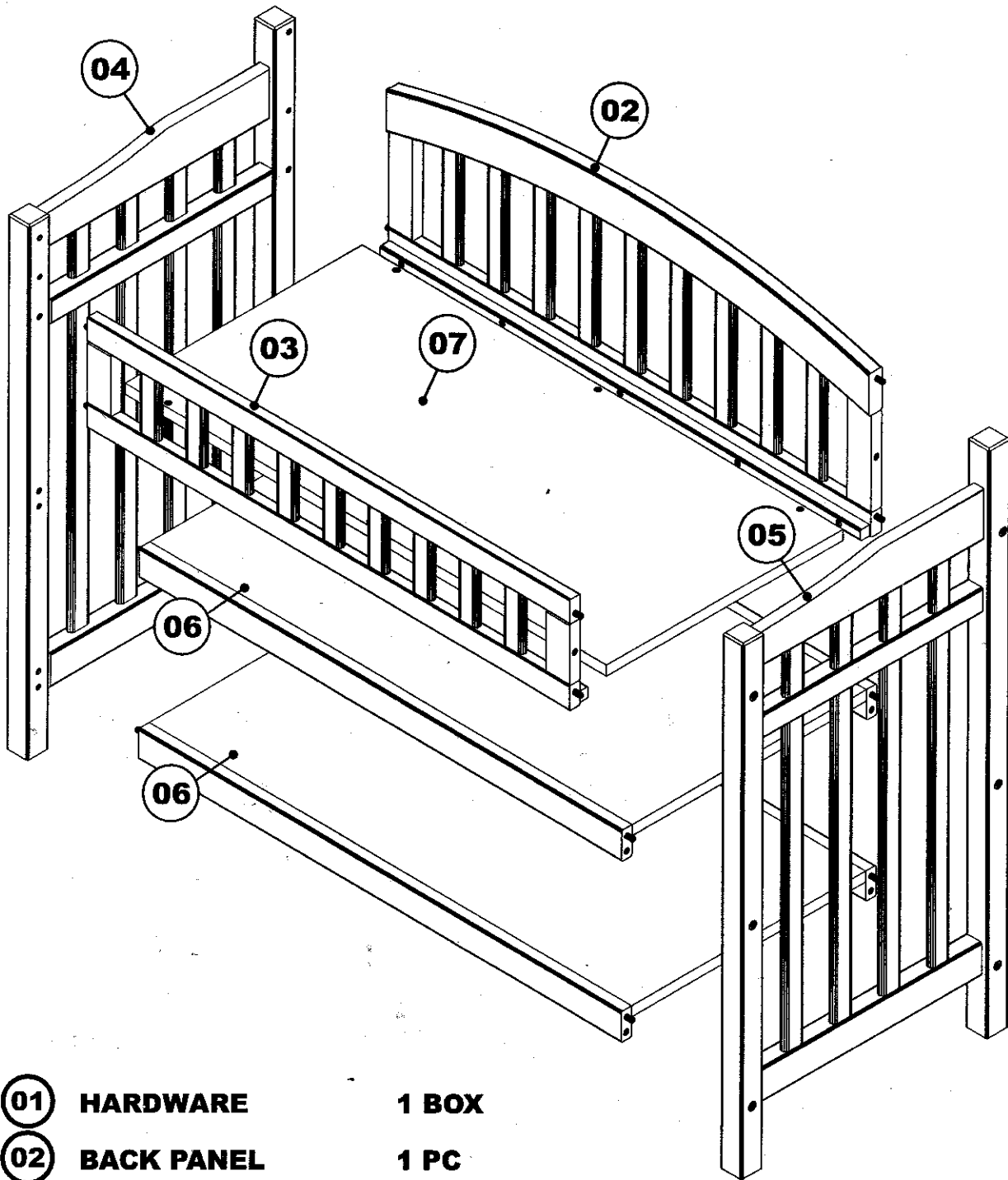


**B** Wood Screw 1" - 6 pcs

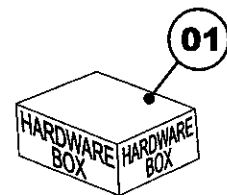


**C** Allen Wrench - 1 pc

# PARTS LIST

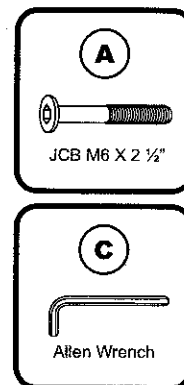
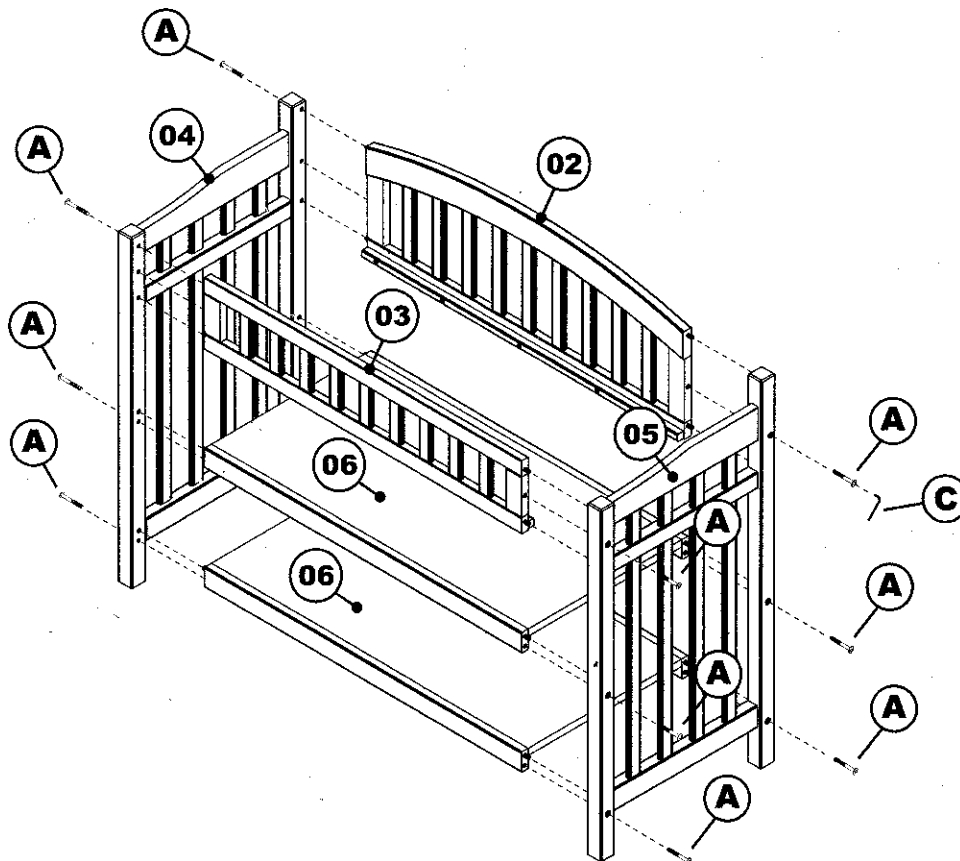


- |           |                         |              |
|-----------|-------------------------|--------------|
| <b>01</b> | <b>HARDWARE</b>         | <b>1 BOX</b> |
| <b>02</b> | <b>BACK PANEL</b>       | <b>1 PC</b>  |
| <b>03</b> | <b>FRONT PANEL</b>      | <b>1 PC</b>  |
| <b>04</b> | <b>LEFT SIDE PANEL</b>  | <b>1 PC</b>  |
| <b>05</b> | <b>RIGHT SIDE PANEL</b> | <b>1 PC</b>  |
| <b>06</b> | <b>SHELF</b>            | <b>2 PCS</b> |
| <b>07</b> | <b>UPPER SHELF</b>      | <b>1 PC</b>  |

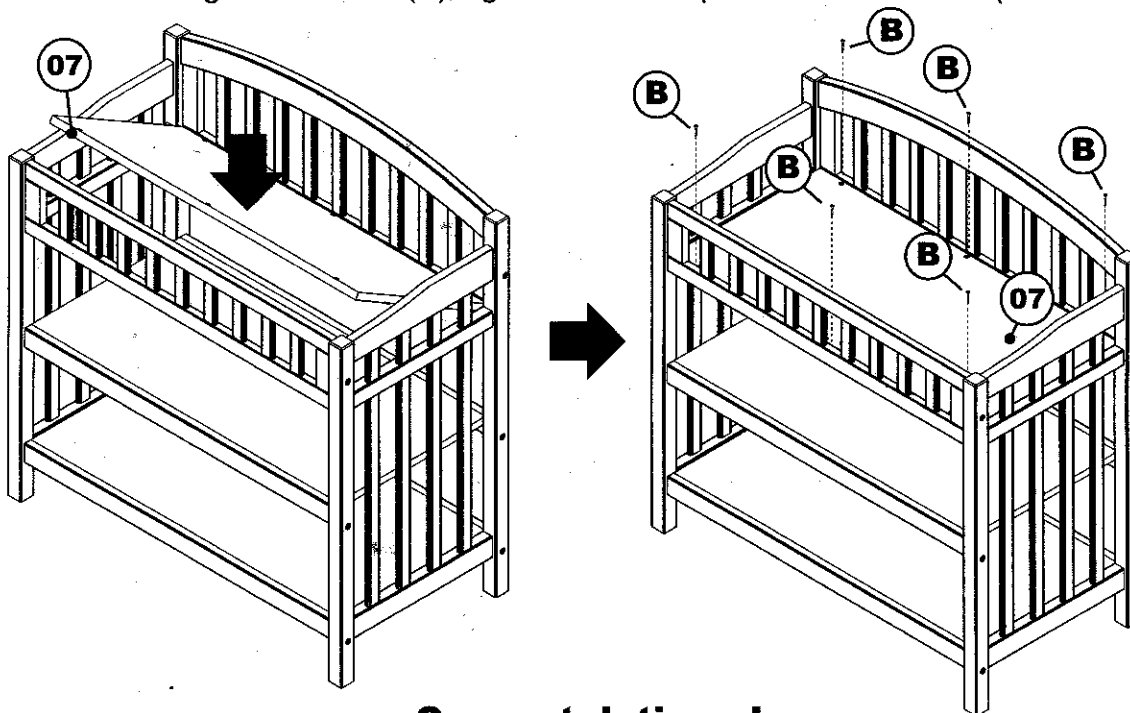


**STEP 1**

Attach back panel (02), top panel (03) and shelves (06) to the side panels (04)(05) as shown below. Using JCB (A) tighten with Allen wrench (C).

**STEP 2**

Lay the upper shelf (07) onto the changing table assemblies as shown below. Using wood screw (B), tighten with Phillips head screwdriver (customer supplied).



**Congratulations !**

Your Richmond changing table is now ready for use.

We recommend that you recheck that all screws are tightened.

Check that all parts are secure before use, and periodically, to ensure safety.