



METRO BED M&T

ATLANTIC
FURNITURE

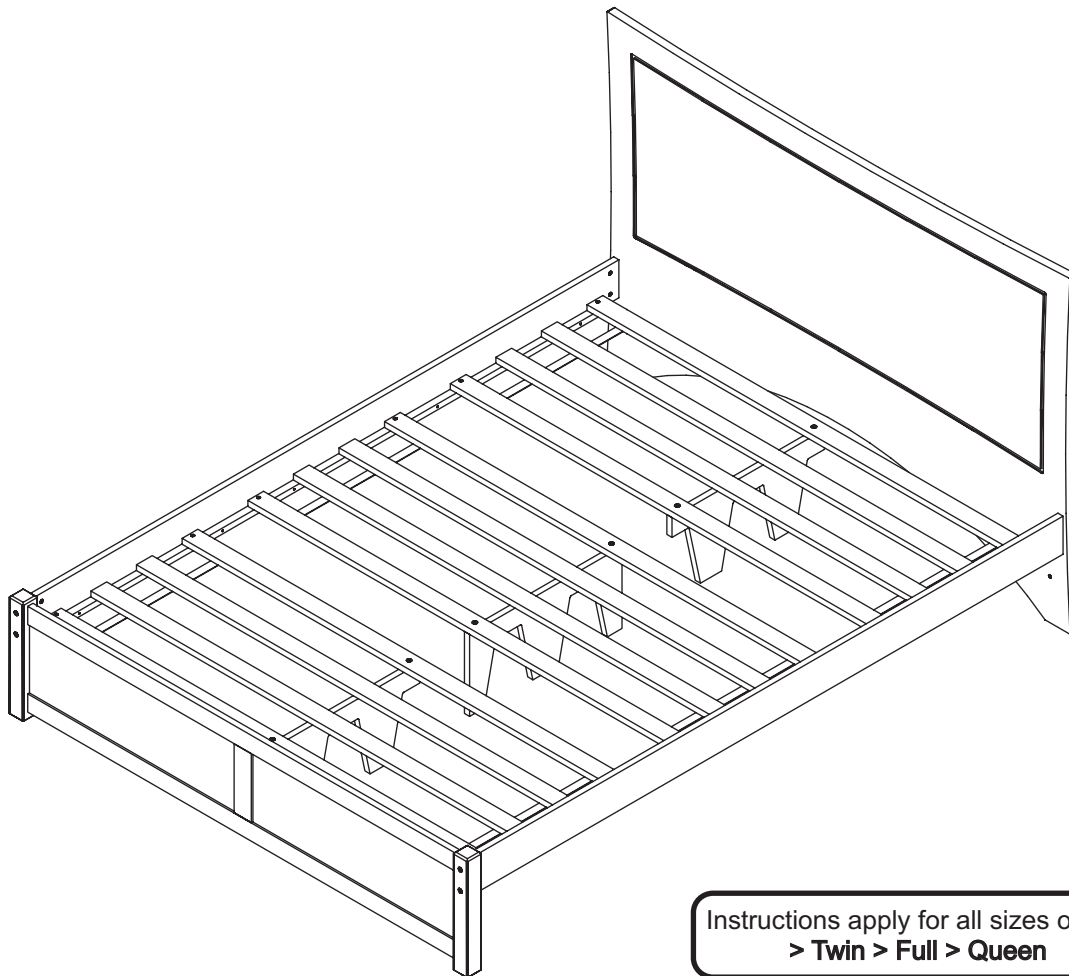
ASSEMBLY INSTRUCTIONS

Thank you for choosing our new bed frame.
This practical design offers the utmost in versatility.

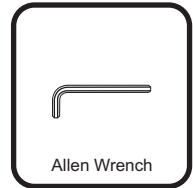
Before assembling your Metro Bed, please read through these instructions carefully, familiarising yourself with the different parts.

Please note that you will require a Phillips Head Screwdriver and an Allen Wrench.

BED SHOWN WITH FLAT PANEL FOOTBOARD



Assembling by Adult



Allen Wrench

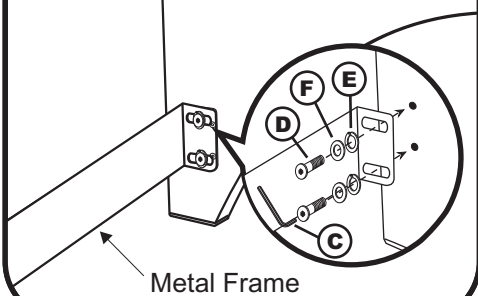


Customer Supplied

Phillips Head
Screwdriver

Instructions apply for all sizes of bed
> Twin > Full > Queen

Assemble Metal Frame



Metal Frame

HARDWARE

A



JCB 2 3/4" - 4 pcs.

B



Barrel Nut - 4 pcs.

C



Allen Wrench - 1 pc

For Headboard to Metal Bed Frame

D



1" Allen Bolts - 4 pcs.

For Headboard to metal Bed Frame

E



Split Washer - 4 pcs

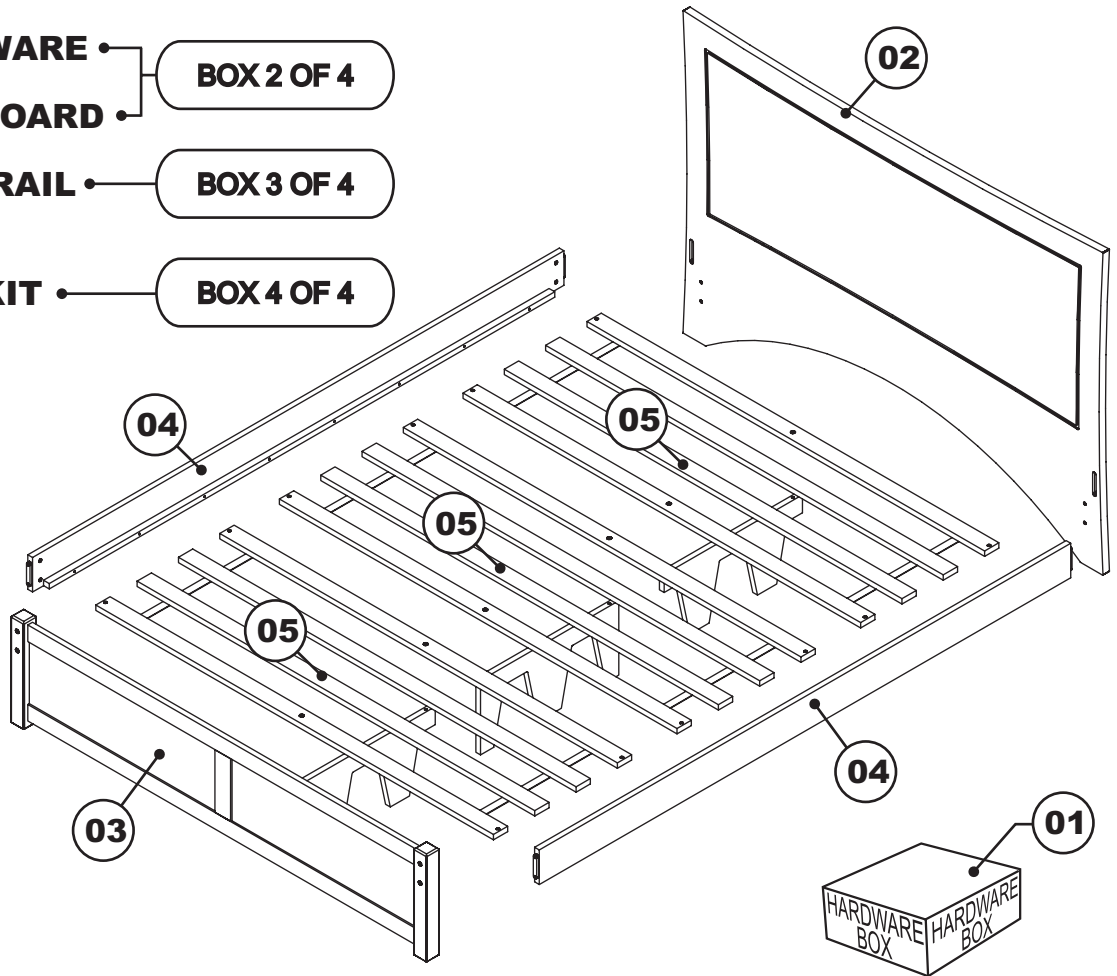
F



Flat Washer - 4 pcs

PARTS LIST

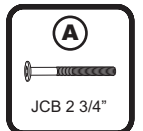
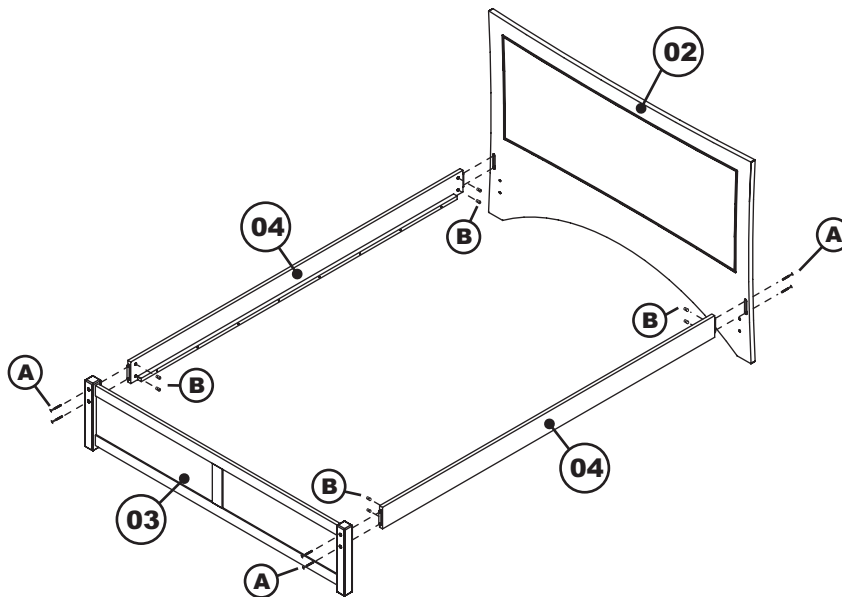
- 01 HARDWARE — BOX 1 OF 4
- 02 HEADBOARD — BOX 1 OF 4
- 01 HARDWARE — BOX 2 OF 4
- 03 FOOTBOARD — BOX 2 OF 4
- 04 LONG RAIL — BOX 3 OF 4
- 05 SLAT KIT — BOX 4 OF 4



BED SHOWN WITH FLAT PANEL FOOTBOARD

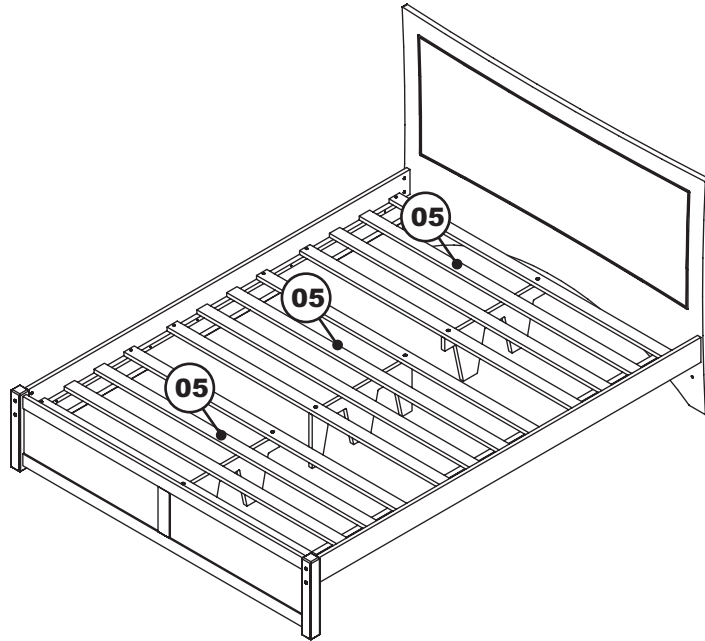
STEP 1

Attach the long rail (04) to headboard (02) and footboard (03) as shown below. Using JCB (A) and barrel nut (B). Tighten with Allen wrench.

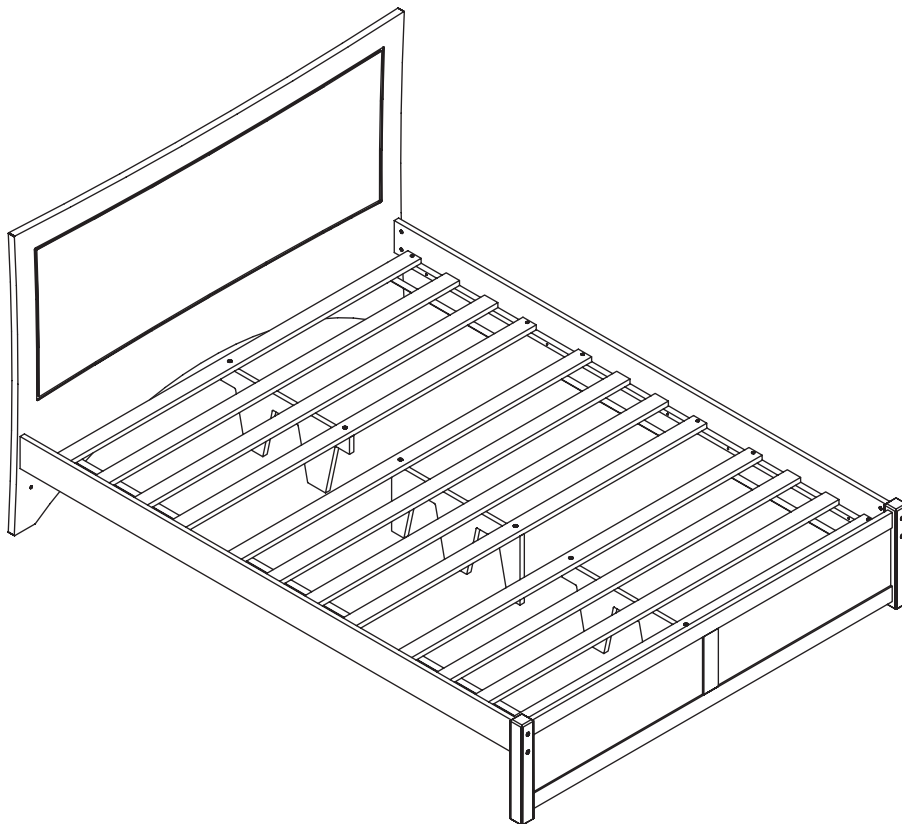


STEP 2

Lay the slat kit onto the bed as shown below.



For Slat Kit Assembly, follow Assembly Instructions included with Slat Kit.

SHOWN WITH FLAT PANEL FOOTBOARD**Congratulations !**

Your Metro Bed is now ready for use.

We recommend that you recheck that all screws are tightened, and that all parts are secure before use and periodically to ensure safety.